

PALLET TRUCK
FOUR WAY ENTRY
APPLICATIONS



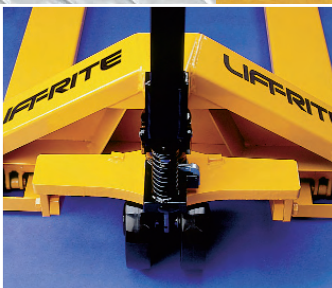
LOW FORK PROFILE



DURABLE STEEL ROLLERS



4 WAY PALLET STOPS



REINFORCED WIDE FRAME



EXCLUSIVE

2
year
hydraulic pump

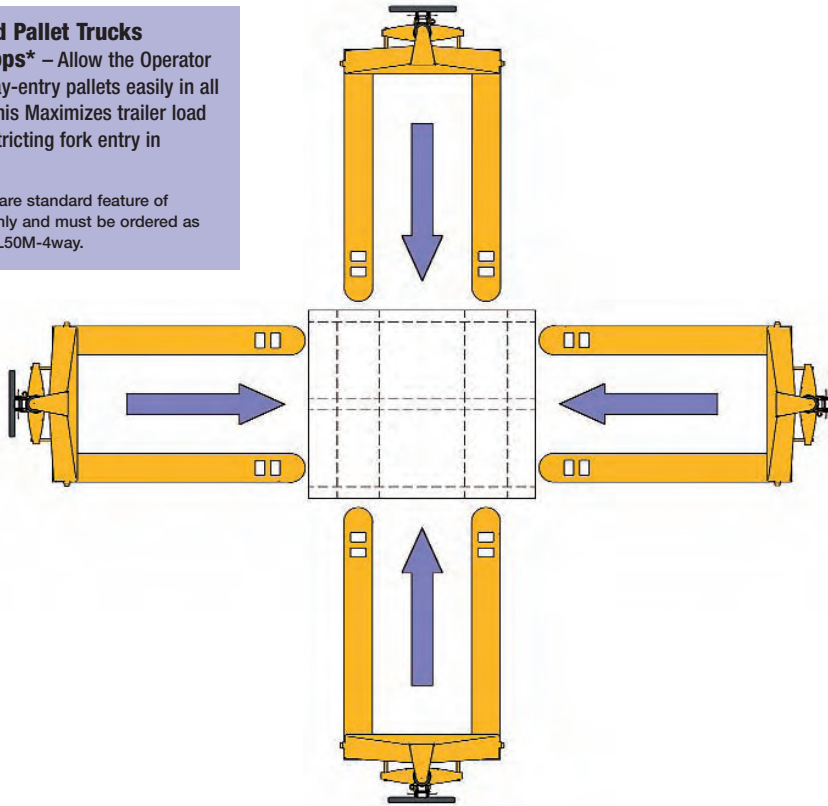
WARRANTY

LIAFFRITE®

APPLICATION OF A 4WAY HAND PALLET TRUCK

Four Way Hand Pallet Trucks with Pallet Stops* – Allow the Operator to handle four-way-entry pallets easily in all four directions. This Maximizes trailer load density while restricting fork entry in adjoining pallets.

*Note: Pallet stops are standard feature of the L50MU-4way only and must be ordered as an option with the L50M-4way.

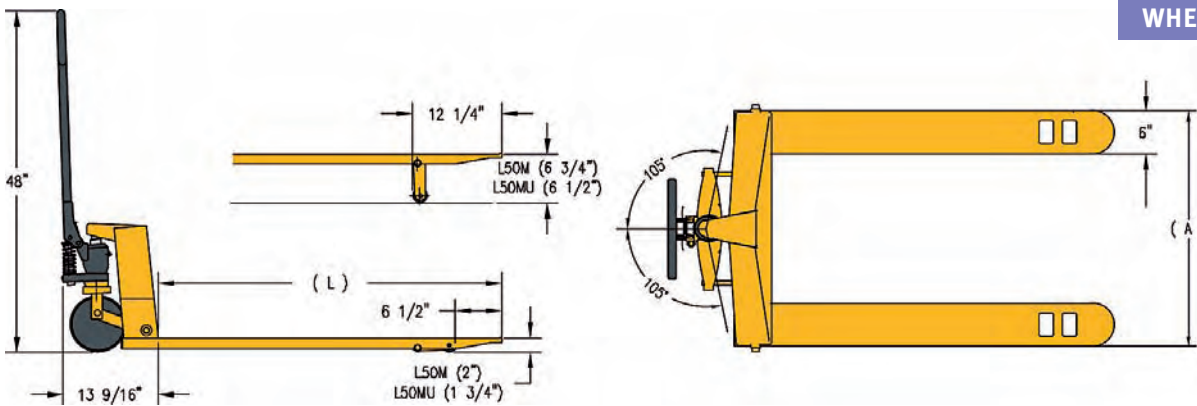


Low Profile 4WAY – 2" Fork lowered height

MODEL No.	CAPACITY (LBS.)	FRAME WIDTH (A) (IN.)	FORK LENGTH (L) (IN.)	FORK WIDTH (IN.)	WEIGHT (LBS.)
L50M-4WAY	5000	33	48	6	205

Ultralow Profile 4WAY – 1-3/4" Fork lowered height

MODEL No.	CAPACITY (LBS.)	FRAME WIDTH (A) (IN.)	FORK LENGTH (L) (IN.)	FORK WIDTH (IN.)	WEIGHT (LBS.)
L50MU-4WAY	5000	33	48	6	205



Other Lift-Rite model Hand pallet trucks available (Refer to Applications brochures for Specifications)

Standard Series – Model LR2055 – 3" Fork lowered height

Low / Ultralow Profile Series – Models L50M / L50MU – 2" / 1-3/4" Fork lowered height

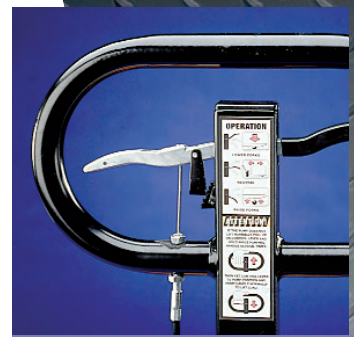
Freezer Special Series – Model L55F – Freezer / Condensation application trucks

Please contact your Authorized LIFT-RITE Dealer for special fork widths and lengths.

LIFT-RITE®

Due to LIFT-RITE'S continuing product development program, specifications are subject to change without notice. Contact your Authorized LIFT-RITE Dealer to confirm the most recent specifications.

OPTIONS & ACCESSORIES



DUAL-ACTION DRUM BRAKE



LOAD BACKREST



WHEELS AND ROLLERS

EXCLUSIVE

2
year
hydraulic pump

WARRANTY